



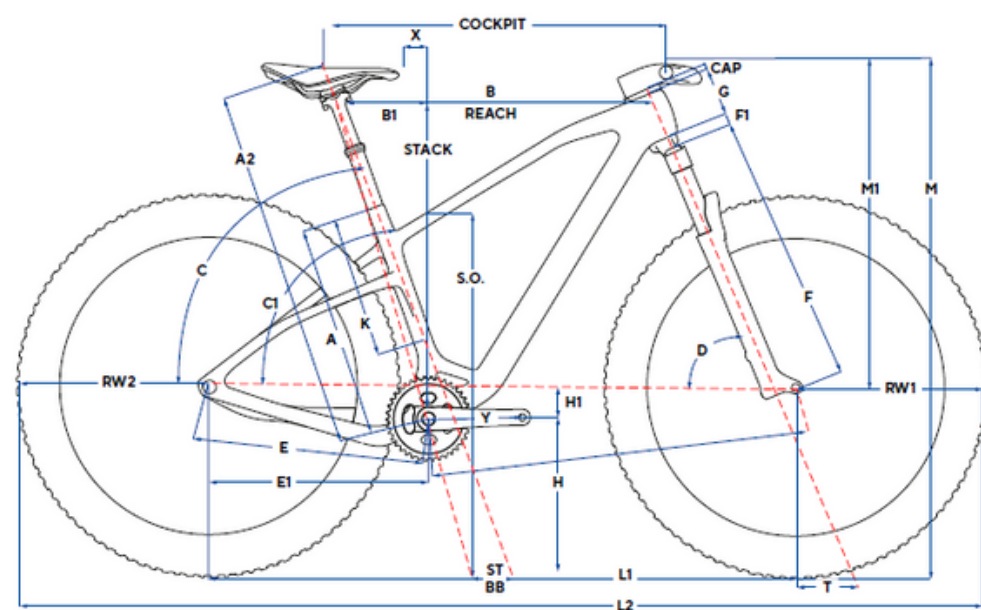
- Carbono Toray M40 J.
- Cuadro asimétrico.
- Grupo SRAM XX SL Eagle AXS.
- Frenos Shimano XTR.
- Ruedas DT SWISS XRC 1200 SPLINE
- Horquilla FOX 32 Factory SC Kashima 100mm.
- Tija de sillín Carbon 30.9mm.
- Manillar Talon Ultra XC.
- Cubierta delantera Maxxis Rekon Race 29x2.35 EXO TR 120TPI plegable.
- Cubierta trasera Maxxis Rekon Race 29x2.25 EXO TR 120TPI plegable.

COLOR **G150-True White** **G151-True Red**

MONTAJE **PVP**

BICICLETA DOGMA XC HARDTAIL	11.495,00 €
CUADRO DOGMA XC HARDTAIL	5.295,00 €
KIT TALON ULTRA XC	880,00 €

DOGMA XC HARDTAIL



	A	STACK	B	REACH	B1	C	C1	D	T - TRAIL	E - E1	"F - F1 RAKE"	G + CAP	H - BB drop	L	L1	L2
S	405	598.9	588.2	423.1	165.1	74.59	69.00	67.50	105	422.3- 418	507 R44	85+3.5	309 - 60	696.5	1111.9	1849.9
M	435	602.7	611.5	450	161.5	75.00	69.50	67.75	103	425 - 421	507 R44	90+3.5	311 - 58	727.7	1141.4	1879.4
L	470	615.8	635.0	470.0	165.0	75.00	68.00	68.00	102	428 -424.3	507 R44	105+3.5	313 - 56	745.7	1167.9	1905.9
XL	500	630.9	657.0	488.0	169.0	75.00	70.00	68.25	100	430 -426.3	507 R44	120+3.5	313 - 56	766.8	1191.1	1929.1